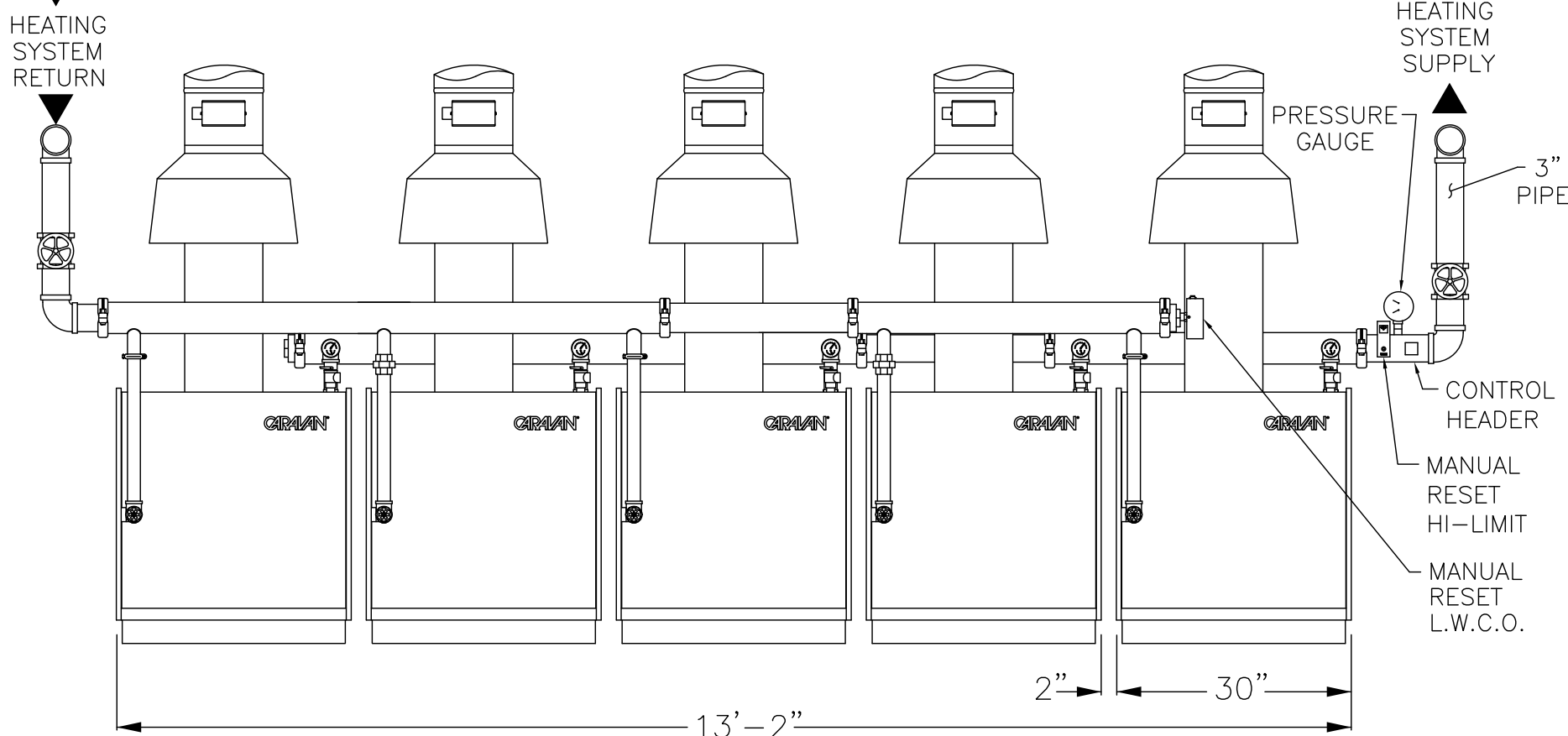
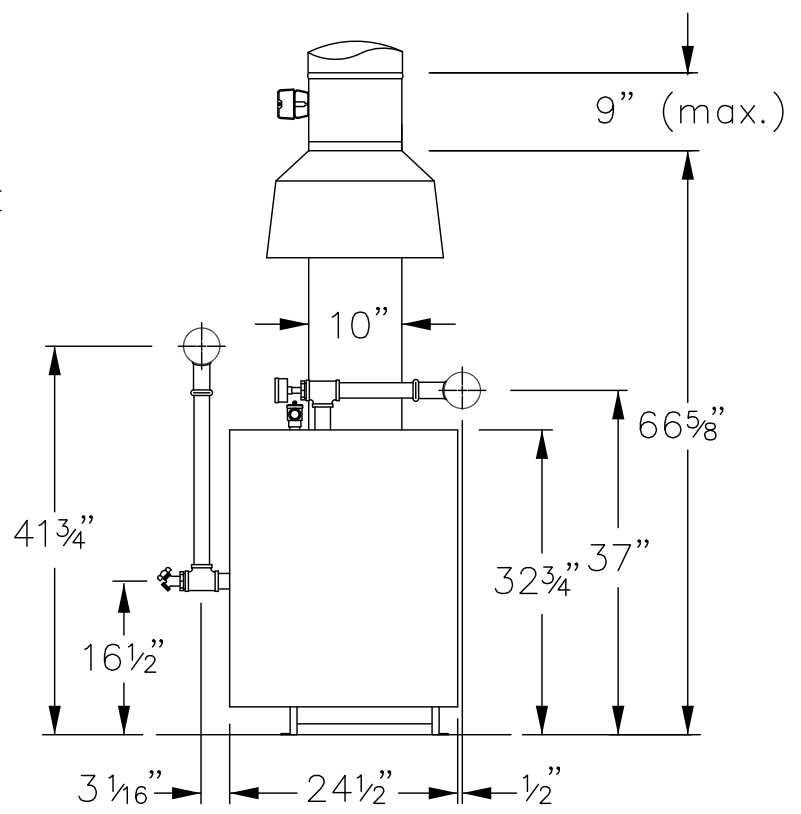


PLAN VIEW



FRONT ELEVATION

RIGHT SIDE VIEW



NOTES:

- 1- This is a concept drawing. Designers must determine if this system is appropriate for a specific application. Installation must comply with local code requirements, and if necessary, auxiliary equipment and safety devices must be added. For additional information, see Caravan Engineering Manual pub. C-30 and Caravan gas application guide pub. CG-10-HWG.

DWG FILE -GGHT2000

Slant/Fin SLANT/FIN CORPORATION
 100 FOREST DRIVE, GREENVALE, NEW YORK 11548 / 516-484-2600
 TITLE GGHT-2000E GAS FIRED,
 HOT WATER MODULAR SYSTEM

DATE 5-28-13	DRAWN BY AC	DRAWING NUMBER
DATE	APPROVED	PGW508RA