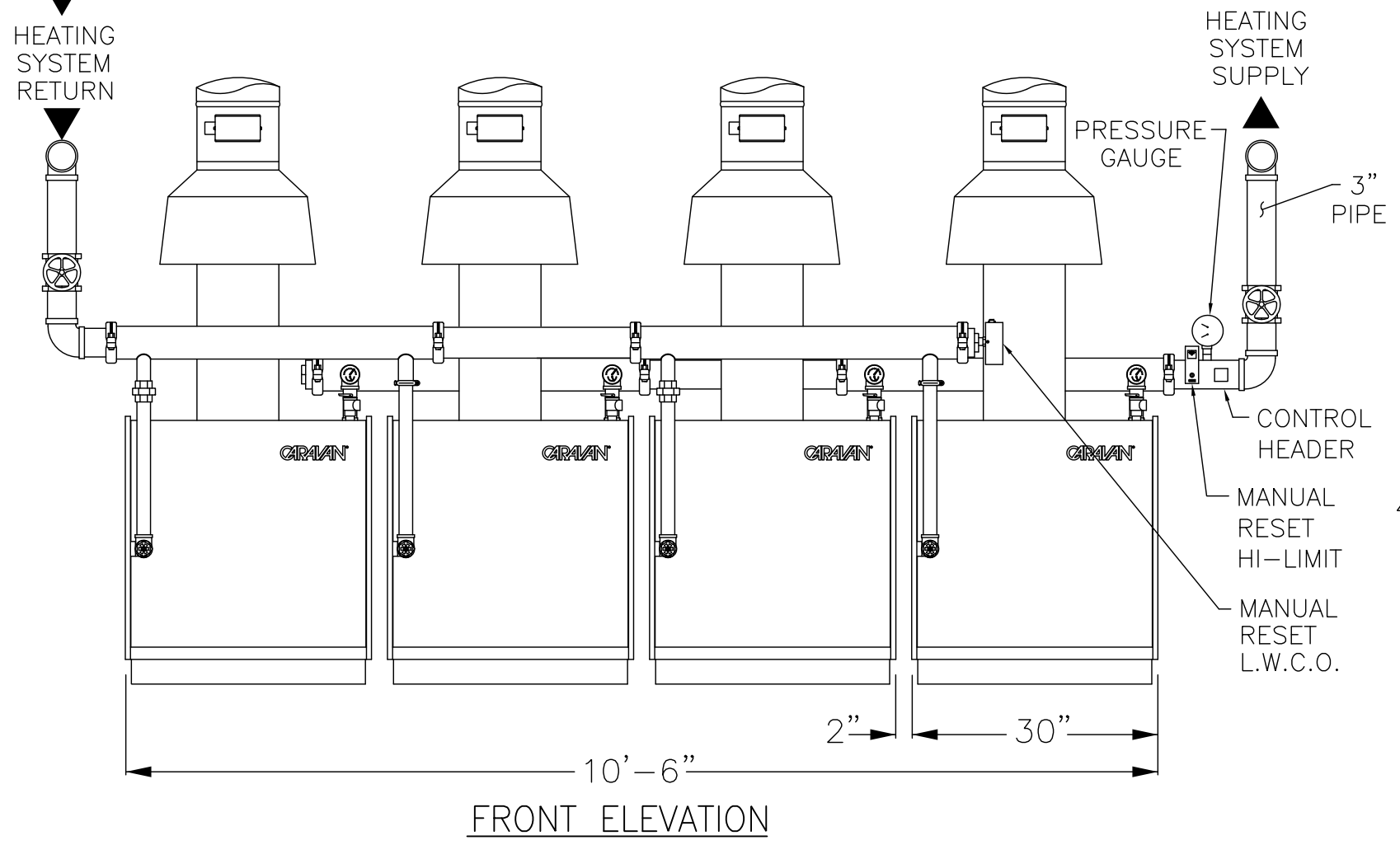
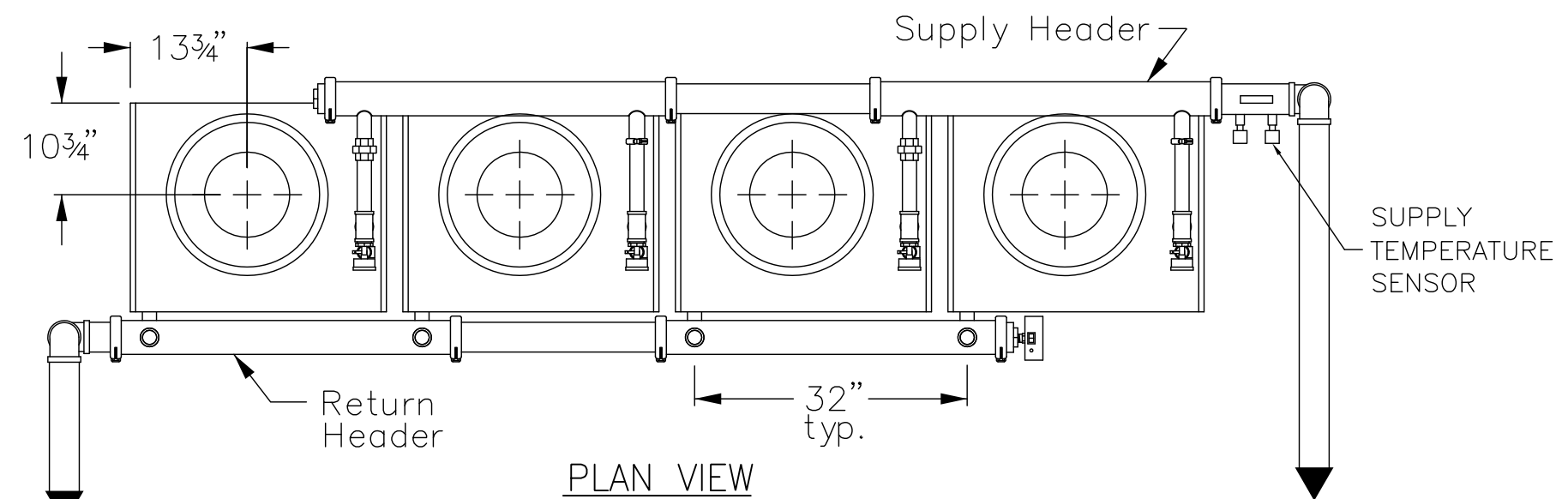
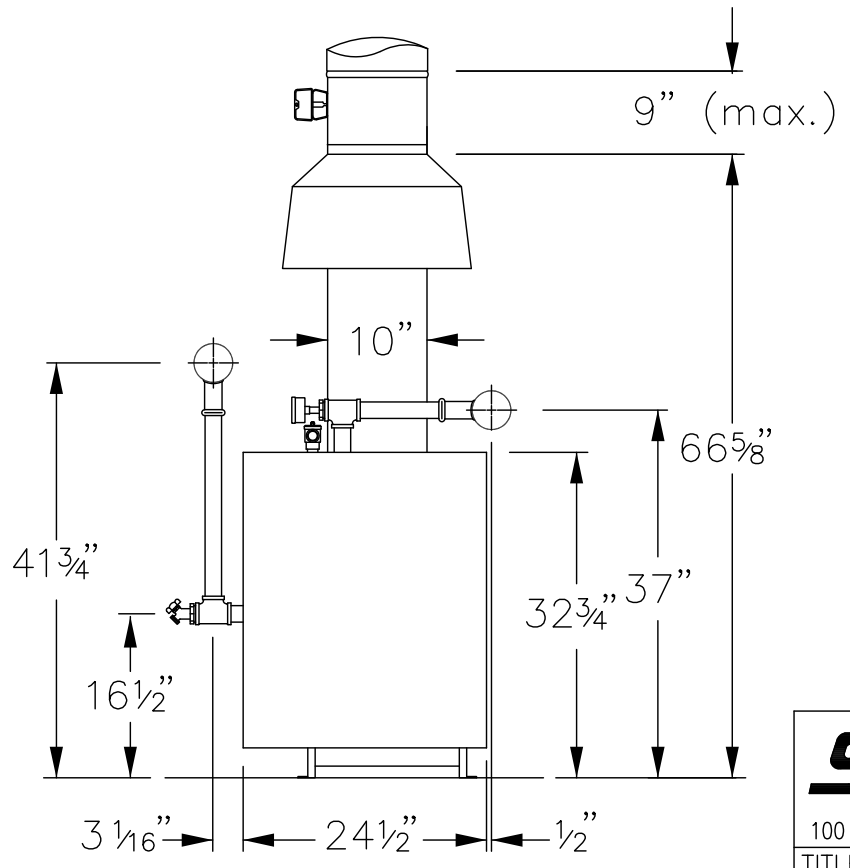


NOTES:

1- This is a concept drawing. Designers must determine if this system is appropriate for a specific application. Installation must comply with local code requirements, and if necessary, auxiliary equipment and safety devices must be added. For additional information, see Caravan Engineering Manual pub. C-30 and Caravan gas application guide pub. CG-10-HWG.



RIGHT SIDE VIEW



DWG FILE -GGHT1600

Slant/Fin SLANT/FIN CORPORATION		
100 FOREST DRIVE, GREENVALE, NEW YORK 11548 / 516-484-2600		
TITLE GGHT-1600E GAS FIRED, HOT WATER MODULAR SYSTEM		
DATE 5-28-13	DRAWN BY AC	DRAWING NUMBER
DATE	APPROVED	PGW408RA