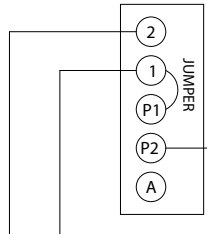
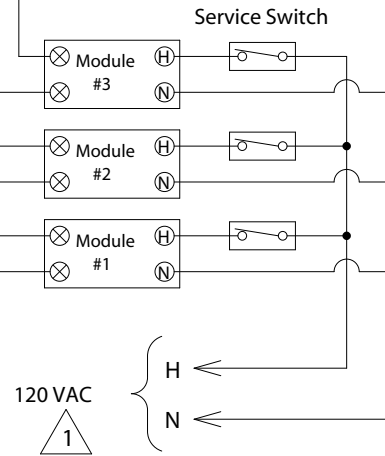
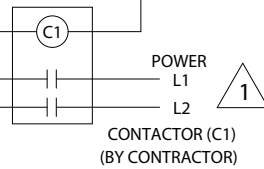
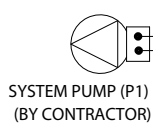
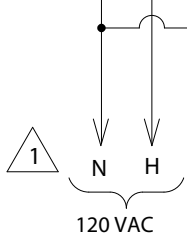
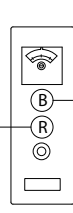


MANUAL RESET
L.W.C.O. (HYDRO 550)



MANUAL RESET
HI-LIMIT
L4006E



NOTES:

1 - Provide Disconnect Means and Overload Protection as Required by Local Code.

Slant/Fin SLANT/FIN CORPORATION
100 FOREST DRIVE, GREENVALE, NEW YORK 11548 / 516-484-2600

TITLE
**SC-3 CONTROLLER WIRING
3 MODULE, GAS SYSTEM**

DATE 4-20-05	DRAWN BY AC	DRAWING NUMBER
DATE	APPROVED	SC3-3H1