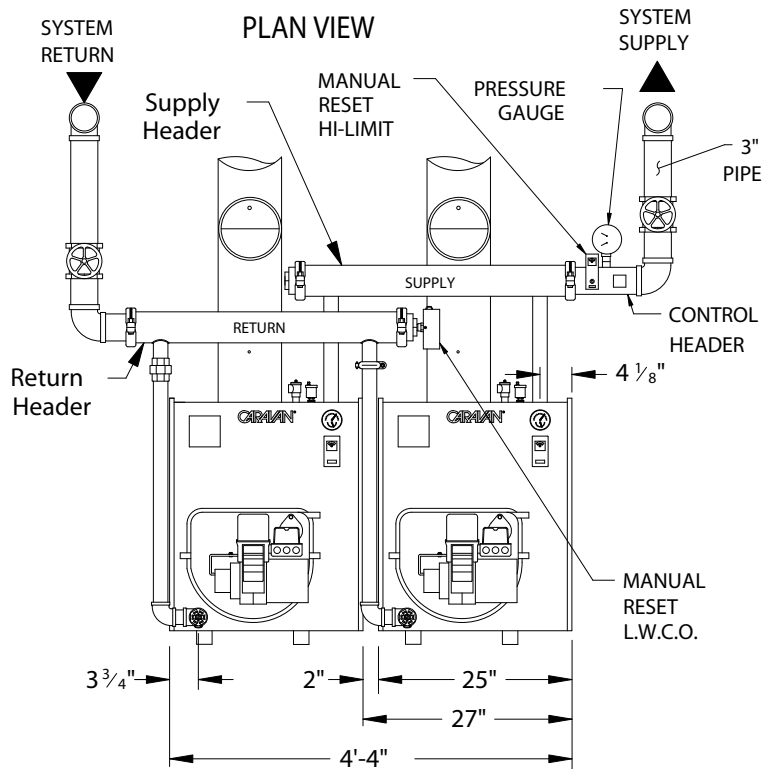


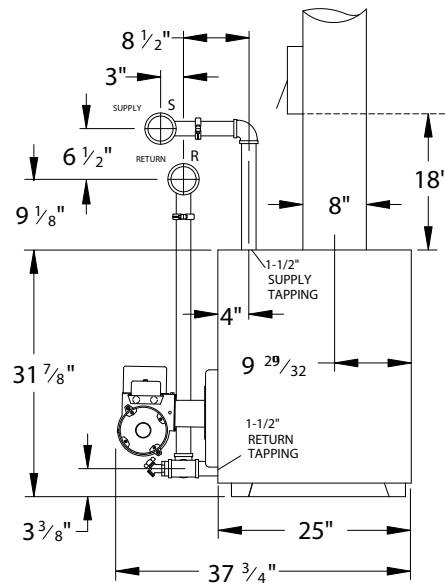
**NOTES:**

- 1- This is a concept drawing. Designers must determine if this system is appropriate for a specific application. Installation must comply with local code requirements, and if necessary, auxiliary equipment and safety devices must be added. For additional information, see Caravan Engineering Manual pub. C-30 and Caravan gas application guide pub. CG-10-HWO.

**PLAN VIEW**



**FRONT ELEVATION**



**RIGHT SIDE VIEW**

<b>Slant/Fin</b> SLANT/FIN CORPORATION		
100 FOREST DRIVE, GREENVALE, NEW YORK 11548 / 516-484-2600		
TITLE <b>LDWO-750 OIL FIRED, HOT WATER, MODULAR SYSTEM</b>		
DATE 9-26-03	DRAWN BY AC	DRAWING NUMBER
DATE	APPROVED	<b>POW206RA</b>

DWG FILE -LDWO-750