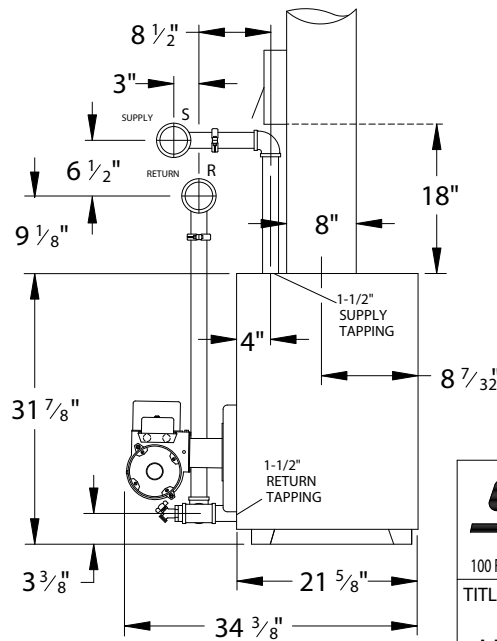
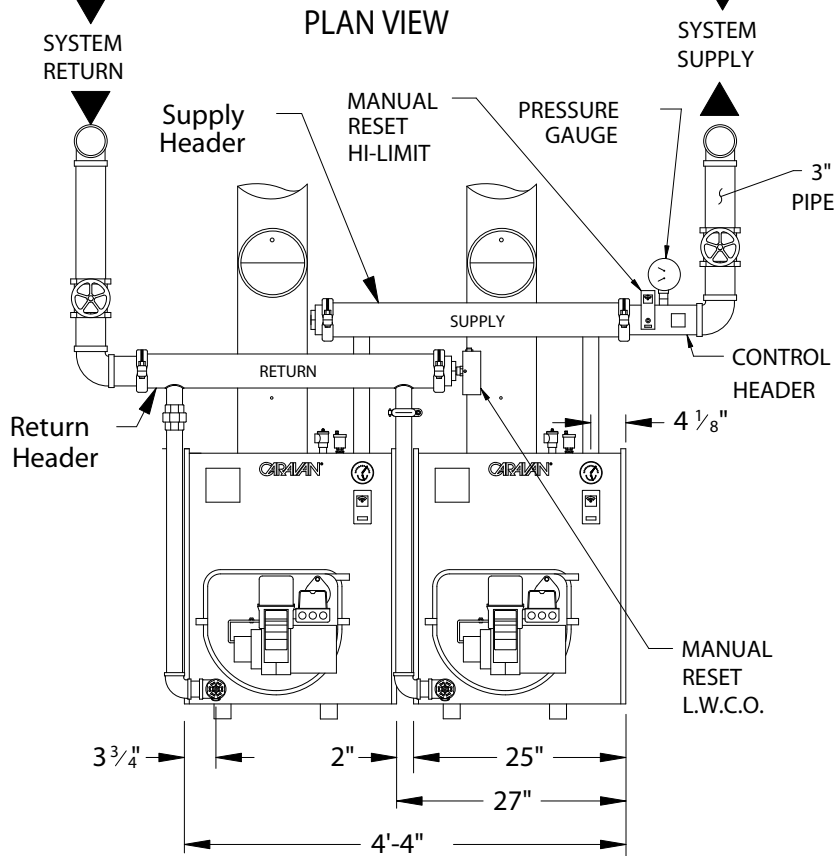


NOTES:

- 1- This is a concept drawing. Designers must determine if this system is appropriate for a specific application. Installation must comply with local code requirements, and if necessary, auxiliary equipment and safety devices must be added. For additional information, see Caravan Engineering Manual pub. C-30 and Caravan gas application guide pub. CG-10-HWO.



Slant/Fin SLANT/FIN CORPORATION
 100 FOREST DRIVE, GREENVALE, NEW YORK 11548 / 516-484-2600

TITLE **LDWO-600 OIL FIRED, HOT WATER, MODULAR SYSTEM**

DATE 9-26-03	DRAWN BY AC	DRAWING NUMBER POW205RA
DATE	APPROVED	