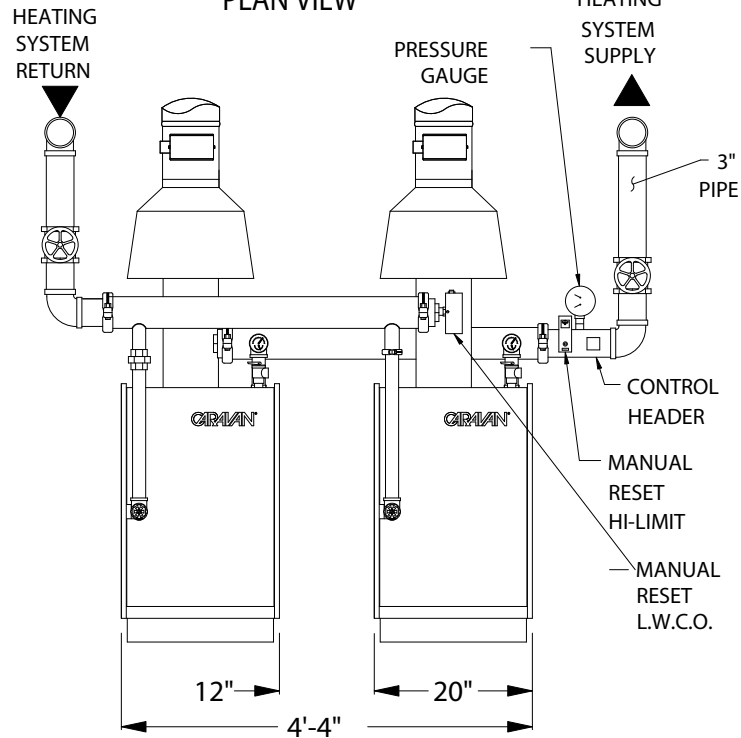


PLAN VIEW

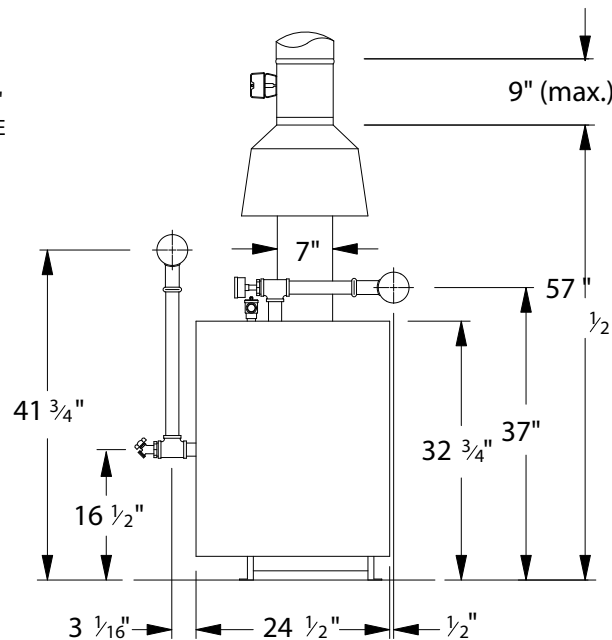
NOTES:

- 1- This is a concept drawing. Designers must determine if this system is appropriate for a specific application. Installation must comply with local code requirements, and if necessary, auxiliary equipment and safety devices must be added. For additional information, see Caravan Engineering Manual pub. C-30 and Caravan gas application guide pub. CG-10-HWG.



FRONT ELEVATION

RIGHT SIDE VIEW



DWG FILE -GGT-400

SLANT/FIN CORPORATION 100 FOREST DRIVE, GREENVALE, NEW YORK 11548 / 516-484-2600		
TITLE GGT-400E GAS FIRED, HOT WATER MODULAR SYSTEM		
DATE 1-26-03	DRAWN BY AC	DRAWING NUMBER PGW205RA
DATE	APPROVED	